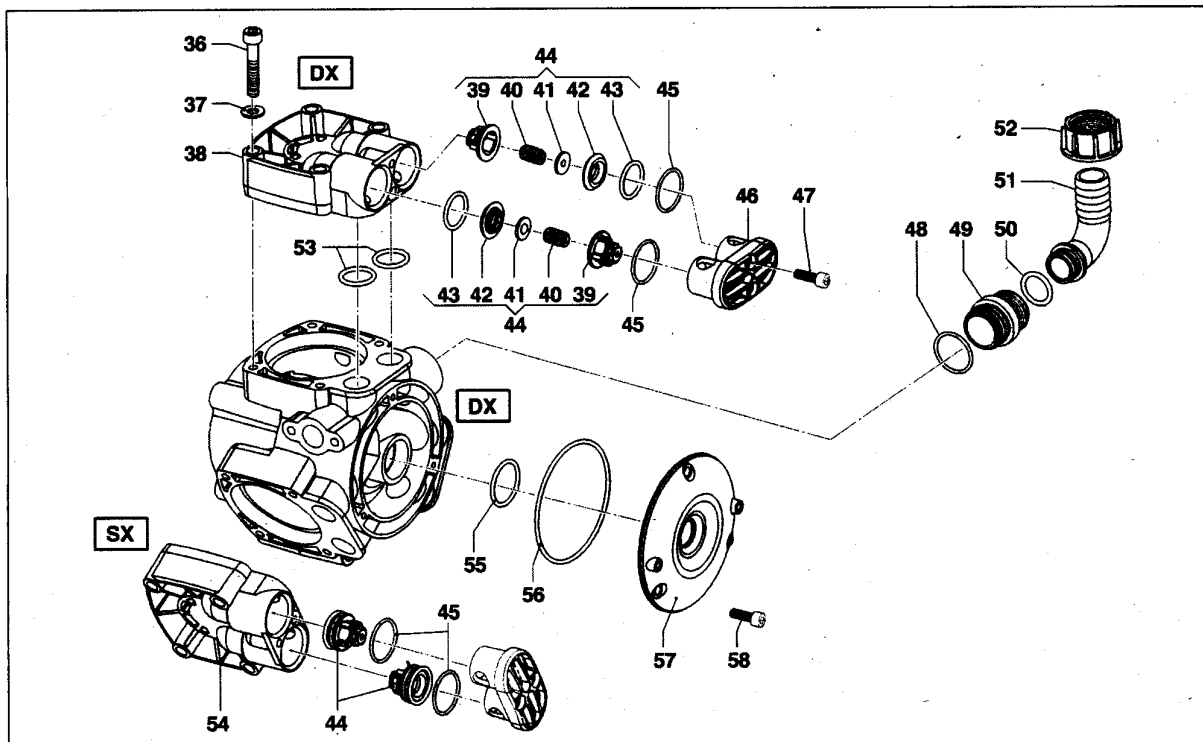
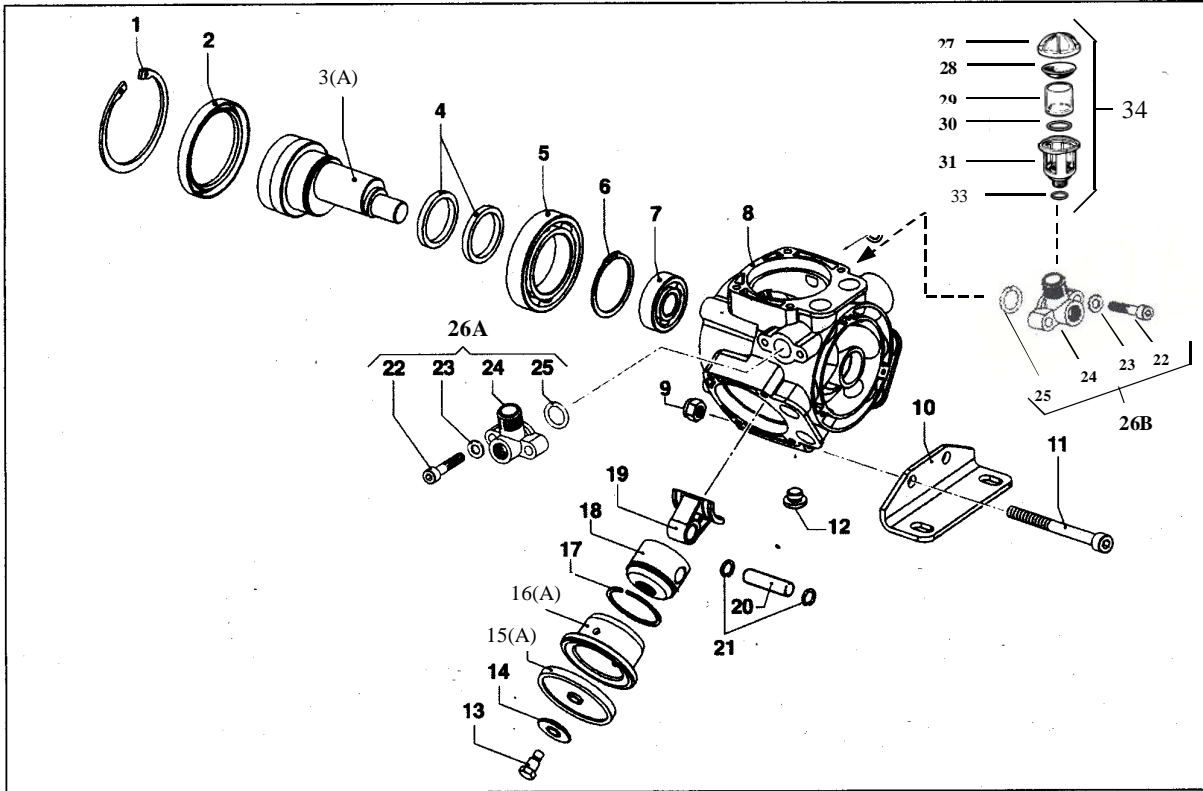


# APS31 / 41



## APS41 Parts List

Ref	Part #	Description	Qty
1	3020 0002	retaining clip	1
2	0019 0085	oil seal	1
3	0001 0444	shaft APS41	1
3A	0001 0447	shaft APS31	
4	0010 0026	conn rod ring	3
5	0438 0001	bearing	1
6	3019 0001	retaining clip	1
7	0438 0066	bearing	1
8	0403 0147	crank case	1
9	0604 0073	nut	2
10	2400 0089	feet	2
11	3609 0179	screw	2
12	3200 0080	oil plug	1
13	3605 0027	screw	3
14	0602 0008	disc	3
15	1800 0020	buna	3
15A	1800 0102	desmopan	3
16	0400 0080	piston sleeve	3
16A	0400 0081	piston sleeve	
17	0020 0010	compression ring	3
18	2409 0097	piston	3
19	0205 0069	conn rod	3
20	3011 0024	conn rod pin	3
21	3020 0029	retaining clip	6
22	3609 0165	screw	2
23	2811 0004	washer	2
25	1210 0447	o-ring	1
26	2803 0474	3/4" pump outlet	1
27	0402 0001	cap	1
28	1800 0001	diaphragm	1

Ref	Part #	Description	Qty
29	1809 0001	oil cup	1
30	1210 0030	o-ring	1
31	0421 0024	oil cup	1
32	3609 0002	screw	2
33	1210 0002	o-ring	1
34	1208 0021	support bracket	1
36	3609 0014	screw	12
37	2811 0004	washer	12
38	3218 0308	right manifold	2
39	1205 0035	valve cage	6
40	1802 0177	spring	6
41	3604 0007	valve plug	6
42	3009 0134	valve seat	6
43	1210 0451	o-ring	6
44	1220 0052	valve assembly	6
45	1210 0015	o-ring	6
46	3202 0259	plug	3
47	3609 0032	screw	12
48	1210 0145	o-ring	1
49	2000 0010	nipple	1
50	1210 0048	o-ring	1
51	2801 0075	hose barb	1
52	1200 0049	wing nut	1
53	1210 0048	o-ring	6
54	3218 0309	left manifold	1
55	1210 0101	o-ring	1
56	1210 0225	o-ring	1
57	1009 0181	flange	1
58	3609 0032	screw	3

### Repair Kit # 5026032700

Ref	Part #	Description	Qty
15A	1800 0102	desmopan	3
44	1220 0052	valve	6
45	1210 0015	o-ring	6
53	1210 0048	o-ring	6

### Repair Kit # 5026024500

Ref	Part #	Description	Qty
15	1800 0020	buna	3
44	1220 0052	valve	6
45	1210 0015	o-ring	6
53	1210 0048	o-ring	6